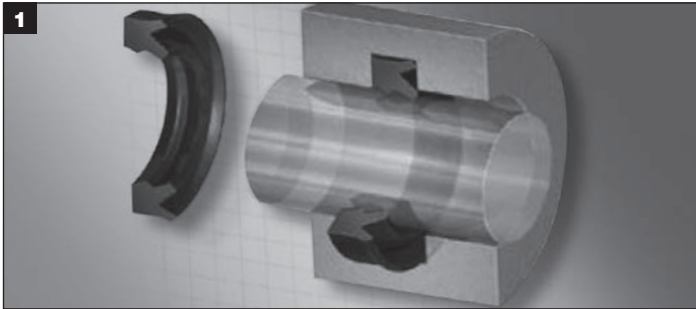


10K, 22K, 23K Series U-cup Seals

SEAL INSTALLATION - CYLINDER APPLICATION

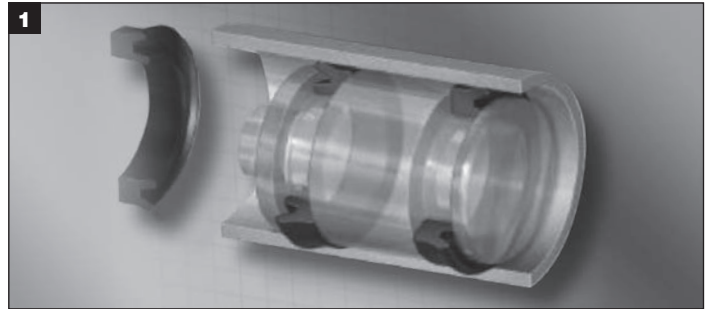
- Clean the equipment thoroughly; remove sharp edges and burrs before installing sealing components
- Protective fixtures, materials or devices should be used whenever the seal has to pass over threads, sharp edges, grooves or similar surface profiles
- Installation tools should be soft metal, wood or plastic also free of sharp edges. The use of screwdrivers and other similar tools should be avoided
- Lubricants are acceptable and in most cases desirable to ease installation. The hydraulic medium used in the system can often be used to lubricate the seal

ROD SEAL

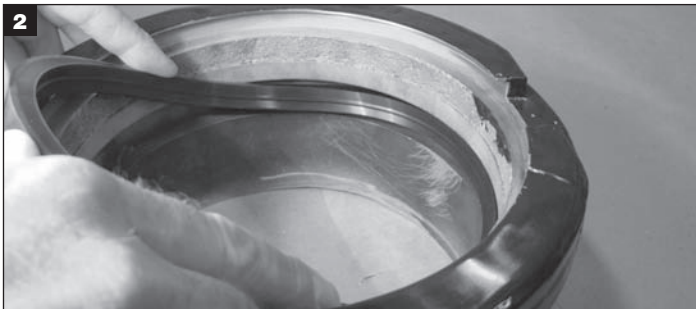


Rod / Gland Seal Orientation

PISTON SEAL



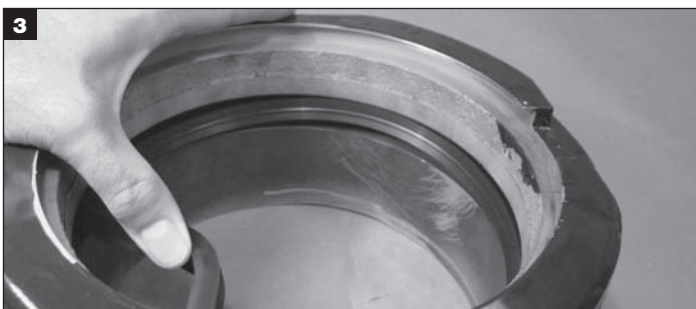
Bi-directional Piston Seal Orientation



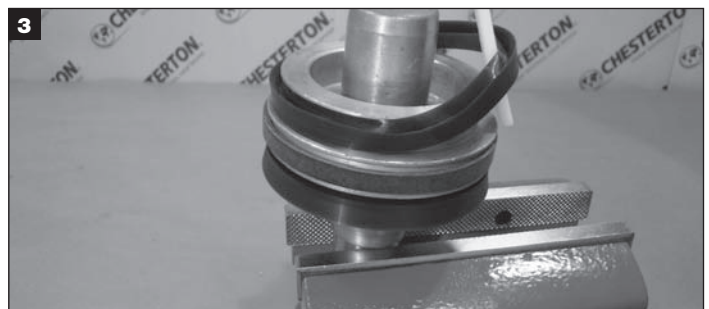
Locate the seal into the groove.



Hold piston securely, locate seal into groove and use finger pressure to begin stretching over piston head.



Push seal down and towards center of the gland. Release force and allow seal to snap into groove.

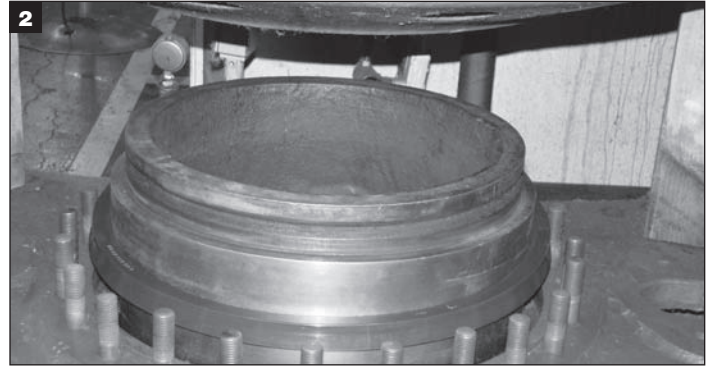


Use a non-metallic tool to assist stretching the seal fully over the piston.

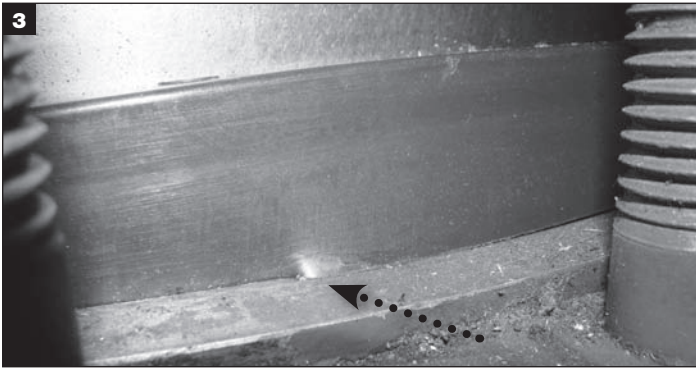
SEAL INSTALLATION - PRESS / MAIN RAM APPLICATION



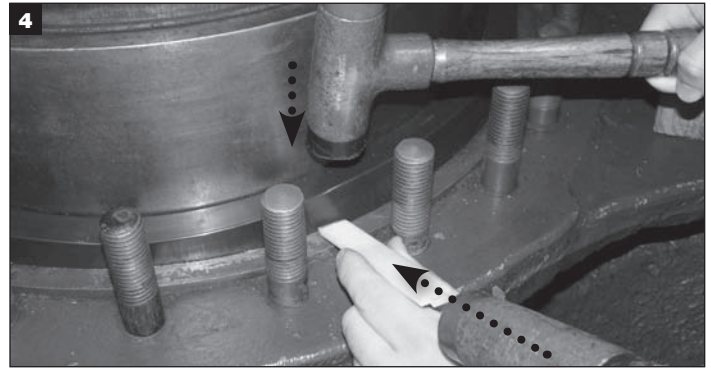
1 Mount seal over main ram being careful to ensure ID lip does *not* fold back on itself.



2 Slide the seal down the ram and line the lip up with the stuffing box opening.



3 Apply a force perpendicular to the main ram at the point at which the lip flares over the opening to the stuffing box. This reduces the interference of the lip and allows the seal to enter the box.



4 Using non-metallic tools tap down on the heel, whilst simultaneously tapping in at the tip of the lip. Each application and equipment configuration is different and this step may require 2 or more personnel.

All statements pertaining to pressures, temperatures, speeds and service ratings are based on general service experience. Because of a wide variety of applications of our products, the broad range of products available, and the wide range of equipment conditions encountered, together with unpredictable human factors involved in the installation of these products by the ultimate user, we do not encourage reliance on recommendations shown without specific prior service experience.

For the reasons indicated, The A.W. Chesterton Company makes no warranties, expressed or implied, that products prescribed are guaranteed for any length of time, for any measure of service, or for any specific purpose.



DISTRIBUTED BY:

Chesterton ISO certificates available on www.chesterton.com/corporate/iso

860 Salem Street
Groveland, MA 01834 USA
Telephone: 781-438-7000 Fax: 978-469-6528
www.chesterton.com

© A.W. Chesterton Company, 2012. All rights reserved.
® Registered trademark owned and licensed by
A.W. Chesterton Company in USA and other countries.

FORM NO. EN88813 REV. 1

PRINTED IN USA 12/12