

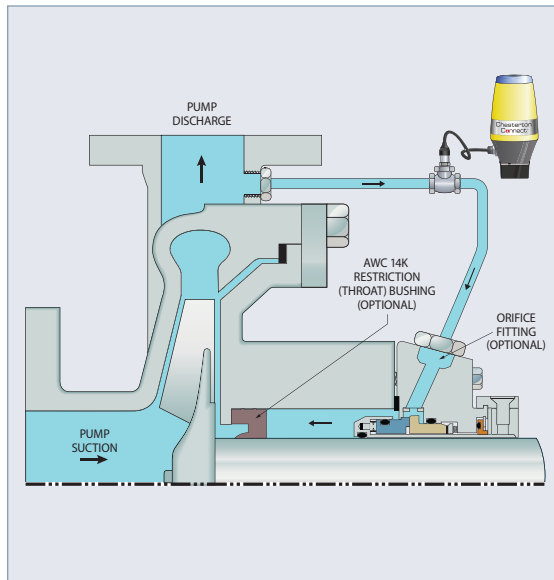
PLAN 11

Discharge Recirculation

What Discharge recirculation through an orifice to the seal flush port. The orifice is used to control discharge pressure to the seal chamber. A smaller orifice allows less pressure to enter the seal chamber.

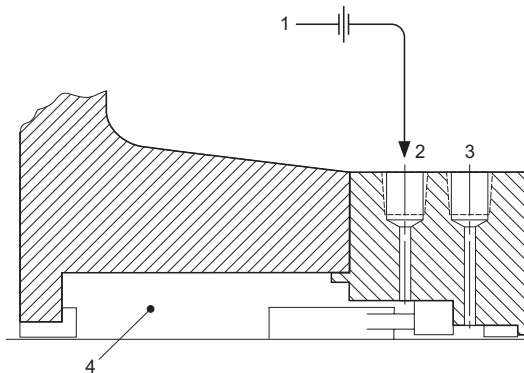
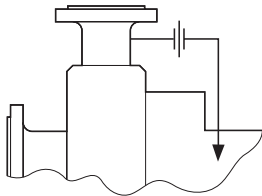
Why To raise the pressure in the seal chamber to limit flashing at the seal faces; to lower the temperature at the seal faces by circulating process fluid.

When With clean process fluids. Process fluids with particulate may cause abrasion.



KEY

- 1 — From Pump Discharge
- 2 — Flush (F)
- 3 — Quench/Drain (Q/D)
- 4 — Seal Chamber



Drawing reproduced from ANSI/API Standard 682, Third Edition, September 2004, courtesy of the American Petroleum Institute.