

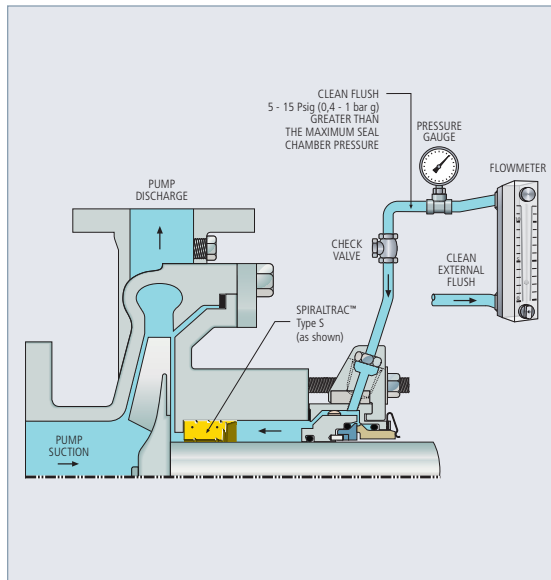
# Chesterton® PLAN 33S

## SpiralTrac™ Version F

**What** Clean flush from an external source in combination with a SpiralTrac environmental controller. This plan has been developed by Chesterton.

**Why** To clean the seal chamber of high-concentration solids.

**When** Low dilution is permitted; sealing process fluids with solids.

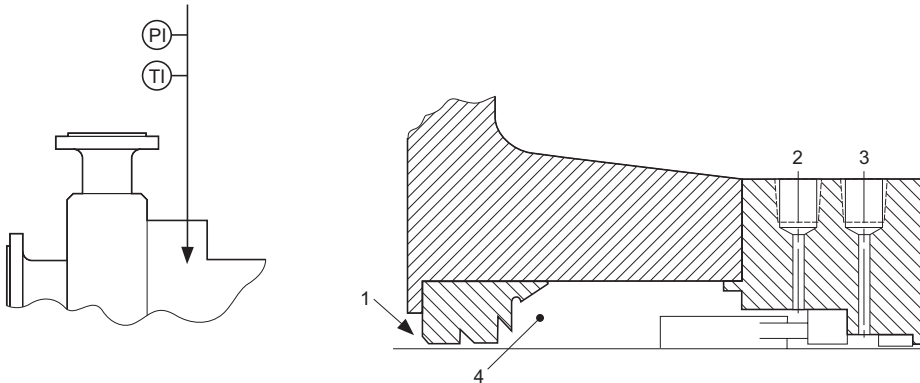


SpiralTrac™ is a trademark of EnviroSeal Engineering Products Ltd.

**KEY**

- 1 — SpiralTrac™ Bushing
- 2 — Flush (F)
- 3 — Quench/Drain (Q/D)

- 4 — Seal Chamber
- PI — Pressure Indicator
- TI — Temperature Indicator



*Drawing reproduced from ANSI/API Standard 682, Third Edition, September 2004, courtesy of the American Petroleum Institute.*