

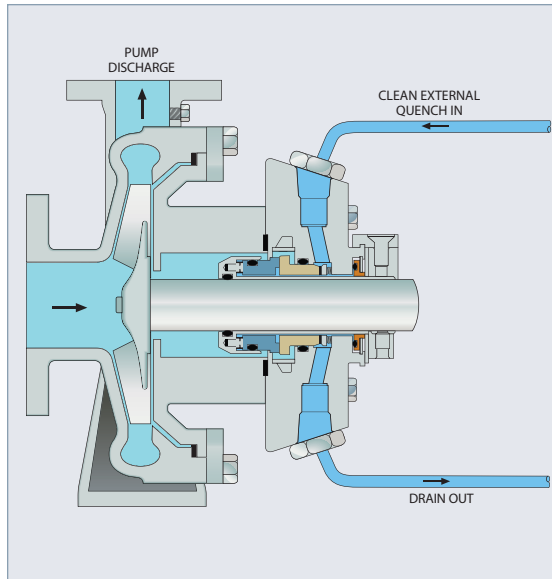
PLAN 62

Quench

What A steam or water quench.

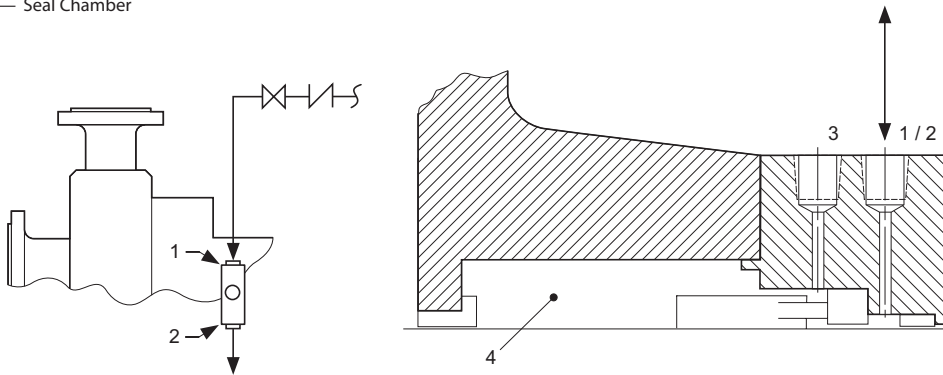
Why To remove solids from the seal internals or to control the temperature at the seal faces, while not contaminating the product; to minimize air contact at the seal faces.

When Used when product cokes, hardens, or crystallizes across the seal faces due to temperature reduction or contact with air.



KEY

- 1 — Quench (Q)
- 2 — Drain (D)
- 3 — Flush (F)
- 4 — Seal Chamber



Drawing reproduced from ANSI/API Standard 682, Third Edition, September 2004, courtesy of the American Petroleum Institute.