

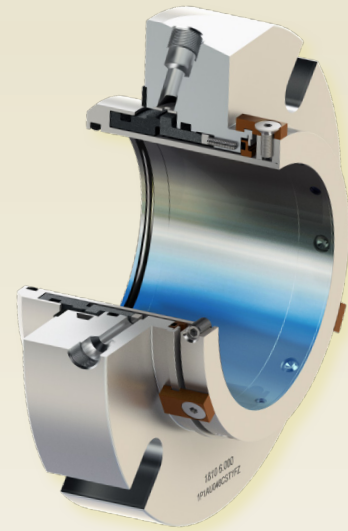
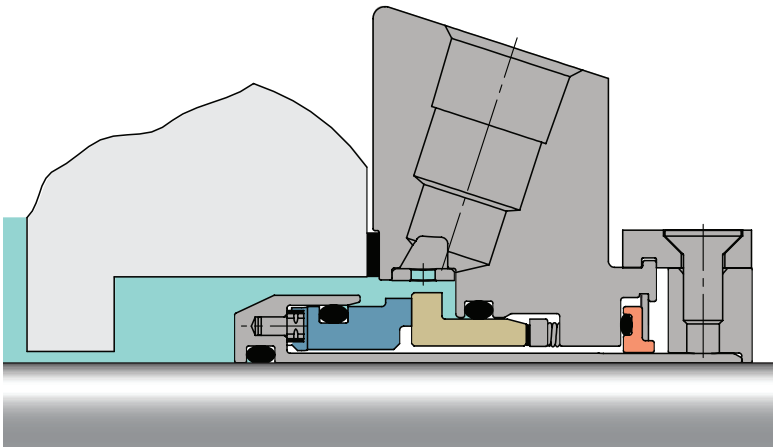
1810 XL

Heavy-Duty Modular Single Cartridge Seal

Built on Chesterton's AXIUS™ modular platform for simple configuration and installation plant-wide

This Chesterton® single cartridge seal offers you the ultimate in seal quality, flexibility, and convenience. Leveraging Chesterton's proprietary AXIUS modular platform, the 1810 XL can be configured with several different face profiles and auxiliary components which allows performance to be tailored to a wide range of process conditions.

A plant-wide sealing solution, the 1810 XL is effective for both simple and highly demanding applications. It offers selectable features around a common gland housing. This flexibility allows for the creation of the best sealing parameters for your equipment and application needs to maximize single seal reliability.



Advantages

- Simplifies configuration and maximizes seal performance with the AXIUS™ modular platform
- Maintains reliability throughout temperature cycling and stop/start processes with monolithic seal faces
- Increases face life and reduces contact stress with cushioned drive pins
- Allows for easy, positive seal identification with ViewIn™ technology

SPECIFICATIONS

Operating Parameters

Sizes	125 mm – 200 mm 5.000" – 8.000"
Pressure	711 mm or 28" Hg Vacuum to 20 bar g (300 psi*)
Temperature	-55°C – 300°C (-67°F – 570°F) Temperature limits depend on actual elastomers used
Speed	20 m/s (4000 fpm)

Applicable Standards and Available Approvals

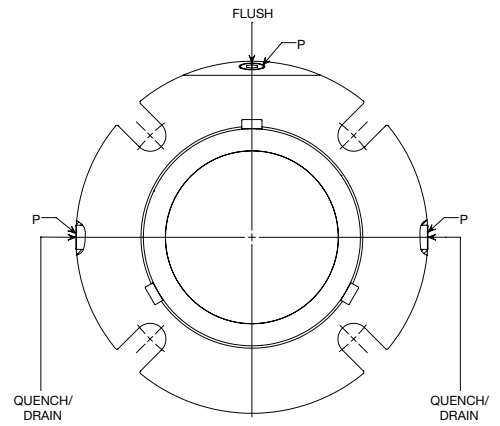
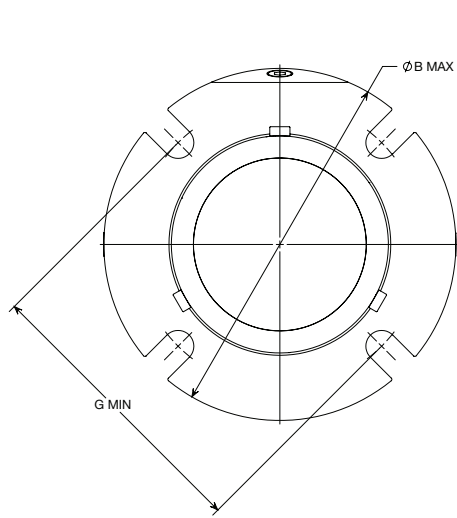
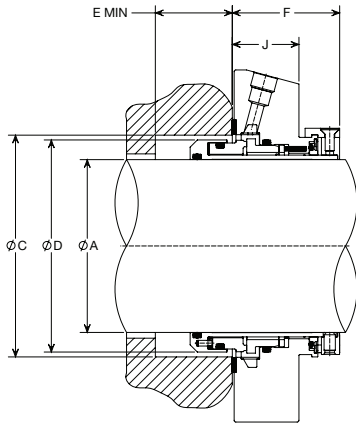
ISO-3069C, ASME B73.1, B73.2

* Seal pressure capabilities are dependent on the fluid sealed, temperature, speed, and seal face combinations. For operation outside the limits and additional materials consult Chesterton Mechanical Seal Engineering.

Materials of Construction

Rotary Faces	CB SSC TC
Stationary Faces	SSC TC
Elastomers	FKM EPDM FEPM FFKM
Metal Parts	316 Stainless Steel (EN 1.4401)
Springs	Alloy C-276 (EN 2.4819)

Dimensional Data



1810 XL KEY

- A – Shaft Size
- B – Maximum Gland Diameter
- C – Seal Chamber Bore
- D – Seal Outside Diameter
- E – Minimum Seal Chamber Depth
- F – Outboard Seal Length
- G – Minimum Bolt Circle by Bolt Size
- J – Stuffing Box Face to Bolt Surface
- P – NPT Size

1810 XL Dimensional Data Metric - Millimeters

SHAFT SIZE	GLAND OD	STUFFING BOX BORE		IB SEAL DIA	SB DEPTH	OB LENGTH	BOLT CIRCLE BY BOLT SIZE			STUFFING BOX TO BOLT SURFACE	NPT SIZE		
		C MIN	C MAX				G MIN					J MAX	P
		A	B MAX				16 mm	20 mm	24 mm				
125	285	171	190	162	39	95	218	222	226	59	1/2 - 14		
130	291	178	196	168	39	95	224	228	232	59	1/2 - 14		
140	298	184	202	174	39	95	231	235	239	59	1/2 - 14		
150	311	197	215	187	39	95	243	247	251	59	1/2 - 14		
160	323	210	228	200	39	95	256	260	264	59	1/2 - 14		
170	330	216	234	206	39	95	262	266	270	59	1/2 - 14		
180	342	229	247	219	39	95	275	279	283	59	1/2 - 14		
190	349	235	253	225	39	95	281	285	289	59	1/2 - 14		
200	361	248	266	238	39	95	294	298	302	59	1/2 - 14		

1810 XL Dimensional Data Inches

SHAFT SIZE	GLAND OD	STUFFING BOX BORE		IB SEAL DIA	SB DEPTH	OB LENGTH	BOLT CIRCLE BY BOLT SIZE			STUFFING BOX TO BOLT SURFACE	NPT SIZE		
		C MIN	C MAX				G MIN					J MAX	P
		A	B MAX				3/8"	1/2"	5/8"				
5.000	11.24	6.75	7.48	6.37	1.53	3.73	8.70	8.83	8.95	2.31	1/2 - 14		
5.250	11.49	7.00	7.73	6.62	1.53	3.73	8.95	9.08	9.20	2.31	1/2 - 14		
5.500	11.74	7.25	7.98	6.87	1.53	3.73	9.20	9.33	9.45	2.31	1/2 - 14		
5.750	11.99	7.50	8.23	7.12	1.53	3.73	9.45	9.58	9.70	2.31	1/2 - 14		
6.000	12.24	7.75	8.48	7.37	1.53	3.73	9.70	9.83	9.95	2.31	1/2 - 14		
6.250	12.49	8.00	8.73	7.62	1.53	3.73	9.95	10.10	10.20	2.31	1/2 - 14		
6.500	12.74	8.25	8.98	7.87	1.53	3.73	10.20	10.30	10.50	2.31	1/2 - 14		
6.750	12.99	8.50	9.23	8.12	1.53	3.73	10.50	10.60	10.70	2.31	1/2 - 14		
7.000	13.24	8.75	9.48	8.37	1.53	3.73	10.70	10.80	11.00	2.31	1/2 - 14		
7.250	13.49	9.00	9.73	8.62	1.53	3.73	11.00	11.10	11.20	2.31	1/2 - 14		
7.500	13.74	9.25	9.98	8.87	1.53	3.73	11.20	11.30	11.50	2.31	1/2 - 14		
7.750	13.99	9.50	10.23	9.12	1.53	3.73	11.50	11.60	11.70	2.31	1/2 - 14		
8.000	14.24	9.75	10.48	9.37	1.53	3.73	11.70	11.80	12.00	2.31	1/2 - 14		

Chesterton ISO certificates available on chesterton.com/corporate/iso

Distributed by:

Viewlin™ and AXIUS™ are trademarks of A.W. Chesterton Company. Technical data reflects results of laboratory tests and is intended to indicate general characteristics only. A.W. Chesterton Company disclaims all warranties express or implied, including warranties of merchantability and fitness for a particular purpose. Liability, if any, is limited to product replacement only. Any images contained herein are for general illustrative or aesthetic purposes only and are not intended to convey any instructional, safety, handling or usage information or advice respecting any product or equipment. Please refer to relevant Safety Data Sheets, Product Data Sheets, and/or Product Labels for safe use, storage, handling, and disposal of products, or consult with your local Chesterton sales representative.

© 2022 A.W. Chesterton Company
 Registered trademark owned by A.W. Chesterton Company
 in USA and other countries, unless otherwise noted.