

491™ Rotary Seal

- High Quality in an Economical Seal
- Fits Extra Small Seal Chambers
- Designed to Outlast Single Spring Seals

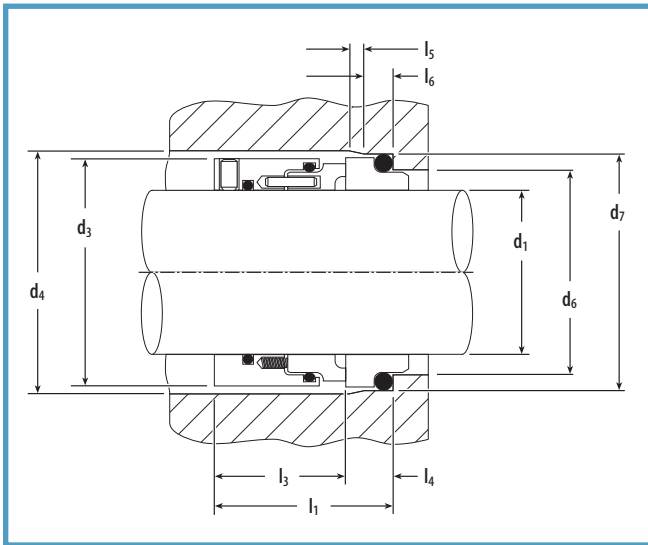


The new standard for reliability

- Fits DIN 24960 I₁k Dimension
- Hydraulically Balanced
- Springs isolated from fluid
- Supplied with DIN 24960 Stationary
- Will not fret shaft or sleeve
- Easy to install, easy to remove

491™ Rotary Seal

The CHESTERTON 491 Mechanical Seal is an excellent choice for water, beer and other beverages, and any light duty application where superior, reliable performance is expected.



Technical Data:

Performance

- Pressure to 10 Bar
- Temperature to 180°C
- Surface speed to 10m/sec
- Rotational speed to 3600 RPM

Materials of Construction

- Carbon rotary face
- 99.7% Ceramic or Sintered Silicon Carbide stationary seat
- 316 SS rotary holder
- Hastelloy C* springs
- Ethylene propylene or fluorocarbon elastomers

*Registered Trademark of Haynes International, Inc.

d ₁	d ₄	d ₆	d ₇	l ₁	l ₃	l ₄	l ₅	l ₆	m _x
16m	31	23	27	35,0	30,0	5,0	1,5	4	M4
18m	34	27	33	37,5	30,0	7,5	2,0	5	M4
20m	36	29	35	37,5	30,0	7,5	2,0	5	M4
22m	38	31	37	37,5	30,0	7,5	2,0	5	M4
24m	40	33	39	37,5	30,0	7,5	2,0	5	M4
25m	41	34	40	37,5	30,0	7,5	2,0	5	M4
28m	44	37	43	42,5	35,0	7,5	2,0	5	M5
30m	46	39	45	42,5	35,0	7,5	2,0	5	M5
32m	48	42	48	42,5	35,0	7,5	2,0	5	M5
33m	49	42	48	42,5	35,0	7,5	2,0	5	M5
35m	51	44	50	42,5	35,0	7,5	2,0	5	M5
38m	58	49	56	44,0	35,0	9,0	2,0	6	M5
40m	60	51	58	44,0	35,0	9,0	2,0	6	M5
43m	63	54	61	44,0	35,0	9,0	2,0	6	M5
45m	65	56	63	44,0	35,0	9,0	2,0	6	M5
48m	68	59	66	44,0	35,0	9,0	2,0	6	M5
50m	70	62	70	44,5	35,0	9,5	2,5	6	M5
53m	73	65	73	46,0	35,0	11,0	2,5	6	M5
55m	75	67	75	46,0	35,0	11,0	2,5	6	M5
60m	85	72	80	46,0	35,0	11,0	2,5	6	M5
65m	90	77	85	46,0	35,0	11,0	2,5	6	M5
68m	93	81	90	46,3	35,0	11,3	2,5	7	M5
70m	95	83	92	46,3	35,0	11,3	2,5	7	M5
75m	104	88	97	59,3	48,0	11,3	2,5	7	M6
80m	109	95	105	60,0	48,0	12,0	3,0	7	M6
85m	114	100	110	60,0	48,0	12,0	3,0	7	M6
90m	119	105	115	62,0	48,0	14,0	3,0	7	M6
100m	129	115	125	62,0	48,0	14,0	3,0	7	M6
110m	139	125	135	62,0	48,0	14,0	3,0	7	M6

A.W. CHESTERTON CO.

Middlesex Industrial Park, 225 Fallon Road
Stoneham, Massachusetts 02180-9101 USA
Telephone: 781-438-7000
Telex: 94-9417 • Fax: 781-438-8971
Cable: Chesterton Stoneham, Mass.
Web Address: <http://www.chesterton.com>

© A.W. CHESTERTON CO., 1998. All rights reserved.
© Registered trademark owned and licensed by
A.W. CHESTERTON CO. in USA and other countries.

DISTRIBUTED BY:

FORM NO. 070602

PRINTED IN USA 4/98