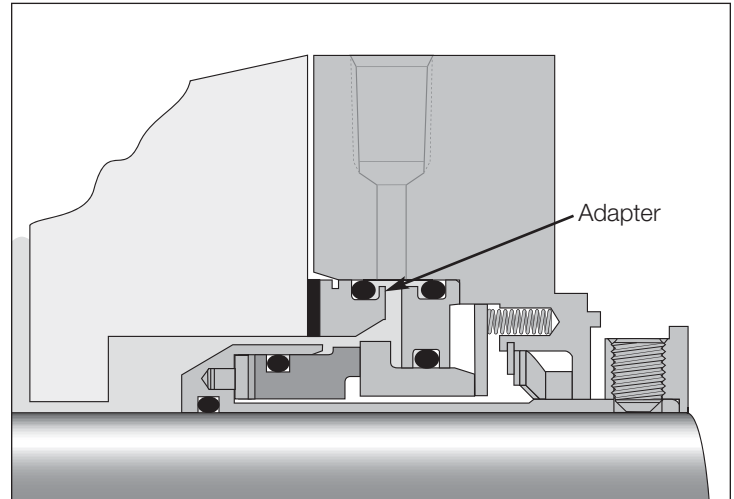


180H Cartridge Single Seal Spare Parts Kit Instructions

FIGURES



180H Rotary Seal Face



180H Seal Assembly Cross Section

PRIOR TO KIT INSTALLATION:

1. Compare your seal size with sizes in 180H Adapter Table
2. If your seal size matches any listed in this table, consult with Chesterton Application Engineering to insure proper clearance between the adapter and seal face before kit installation.
3. Use 180 Installation Instructions (supplied) for seal assembly.

180H SPARE PARTS KIT CONTAINS
180H (Hydropad) Rotary Seal Face
Stationary Seal Face
Graphite Gland Gasket
O-rings
Set Screws
Centering Clips
Hex Keys
Grease
180 Seal Installation Instructions

180H ADAPTER TABLE*	
SEAL SIZE	SHAFT SIZE
-14	1.750"
-15	1.875"
45 mm	45,0 mm
48 mm	48,0 mm
50 mm	50,0 mm
-16	2.000"
55 mm	55,0 mm
-18	2.250"
-19	2.375"
60 mm	60,0 mm
-20	2.500"

* NOTE: Adapter I.D. clearances have been increased on the listed seal sizes to optimize performance.