

52K

Mill Rotary Seals

Radial Seals for Bearing and Gearbox Protection

Chesterton® 52K seals are high-performance radial seals for heavy duty, dynamic rotary seal applications. These seals provide long-lasting sealing and superior protection against ingress of solid particles, dust and fluids, protecting bearing houses and gearboxes across the heavy industries, even in the most hostile working environments.

High-performance elastomers provide resistance to compression setting, wear and aging. A broad range of engineered elastomers allow use in high and low temperature conditions and provide excellent fluid compatibility.




The 52K is manufactured by compression molding technology that provides accurate dimensional, geometrical tolerances. The unique design with a flexible stiffener ring ensures improved fitting in the seal cavity and allows installation in stuffing boxes without end covers. A helical garter spring maintains the seal lip contact and sealing force on the shaft.

According to industrial standards sizing, the 52K is a direct retrofit, which eliminates the need of equipment modification. The 52K is offered in different designs based on application requirements.



- Long lasting sealing and superior protection against ingress of foreign materials
- High-performance elastomers ensure plant-wide usage and long service life
- Unique lip design combined with autolubricated elastomer for low friction
- Direct retrofit eliminates equipment modification
- Unique design with flexible stiffener ring ensures improved fitting

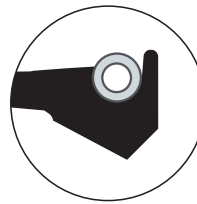
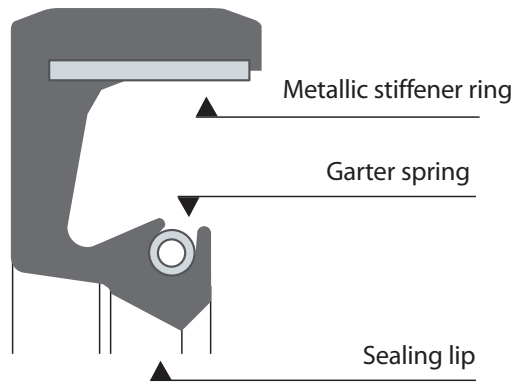
AVAILABLE DESIGNS

Series		Usage
52K		with standard style
52KW		with additional dust lip
52KHP		with special lip profile to withstand high pressures up to 0,4 MPa (4 bar)

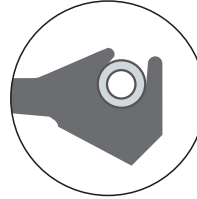
Typical Applications

- Gear drives
- Back-up rolls in hot and cold mills
- Work rolls in hot and cold mills
- Pulp and paper industry
- Pumps
- Windmill applications
- Rotary applications in cement plants

Seal Construction



Traditional open garter spring groove design



Improved garter spring groove design from Chesterton for safe installation

INSTALLATION INFORMATION

Parameters	Recommended values
Shaft hardness	40 - 50 HRC
Shaft surface finish	Ra = 0.3 to 0.5 μm (12 to 20 μin) and Rmax 1 to 2 μm (40 to 80 μin) plunge ground
Shaft tolerance	h11
Housing tolerances	H8
Shaft misalignment	Depending on the surface speed 1.5 mm (0.06 in) should not be exceeded

Mounting

- The Chesterton 52K Series can be used without a retaining plate
- To ease mounting of the seal ring make sure the housing has a lead-in chamfer

SPECIFICATIONS

Elastomers	NBR80+PTFE	FKM70+PTFE
Material of metal case	C72 tempered	C72 tempered
Materials of garter spring*	AISI 302-316	AISI 302-316
Lubricating greases	-30°C to 100°C (-22°F to 212°F)	-20°C to 200°C (-4°F to 392°F)
Mineral oils	-30°C to 100°C (-22°F to 212°F)	-20°C to 200°C (-4°F to 392°F)
Water	5°C to 100°C (41°F to 212°F)	5°C to 100°C (41°F to 212°F)
Surface speed m/s (ft/min)	15 (2952)	25 (4921)
Technical pressure MPa (psi)	0.05 (7.25)	0.05 (7.25)
Size range mm (inch)** Seal OD	300 to 1200 (12 to 47)	300 to 1200 (12 to 47)

*On request PVC cover to avoid dust entering garter spring

**Please contact your Chesterton representative for other sizes.

Chesterton ISO certificates available on www.chesterton.com/corporate/iso

Distributed by:

Technical data reflects results of laboratory tests and is intended to indicate general characteristics only. A.W. Chesterton Company disclaims all warranties express or implied, including warranties of merchantability and fitness for a particular purpose. Liability, if any, is limited to product replacement only. Any images contained herein are for general illustrative or aesthetic purposes only and are not intended to convey any instructional, safety, handling or usage information or advice respecting any product or equipment. Please refer to relevant Safety Data Sheets, Product Data Sheets, and/or Product Labels for safe use, storage, handling, and disposal of products, or consult with your local Chesterton sales representative.

© 2017 A.W. Chesterton Company.
 ® Registered trademark owned by A.W. Chesterton Company
 in USA and other countries, unless otherwise noted.