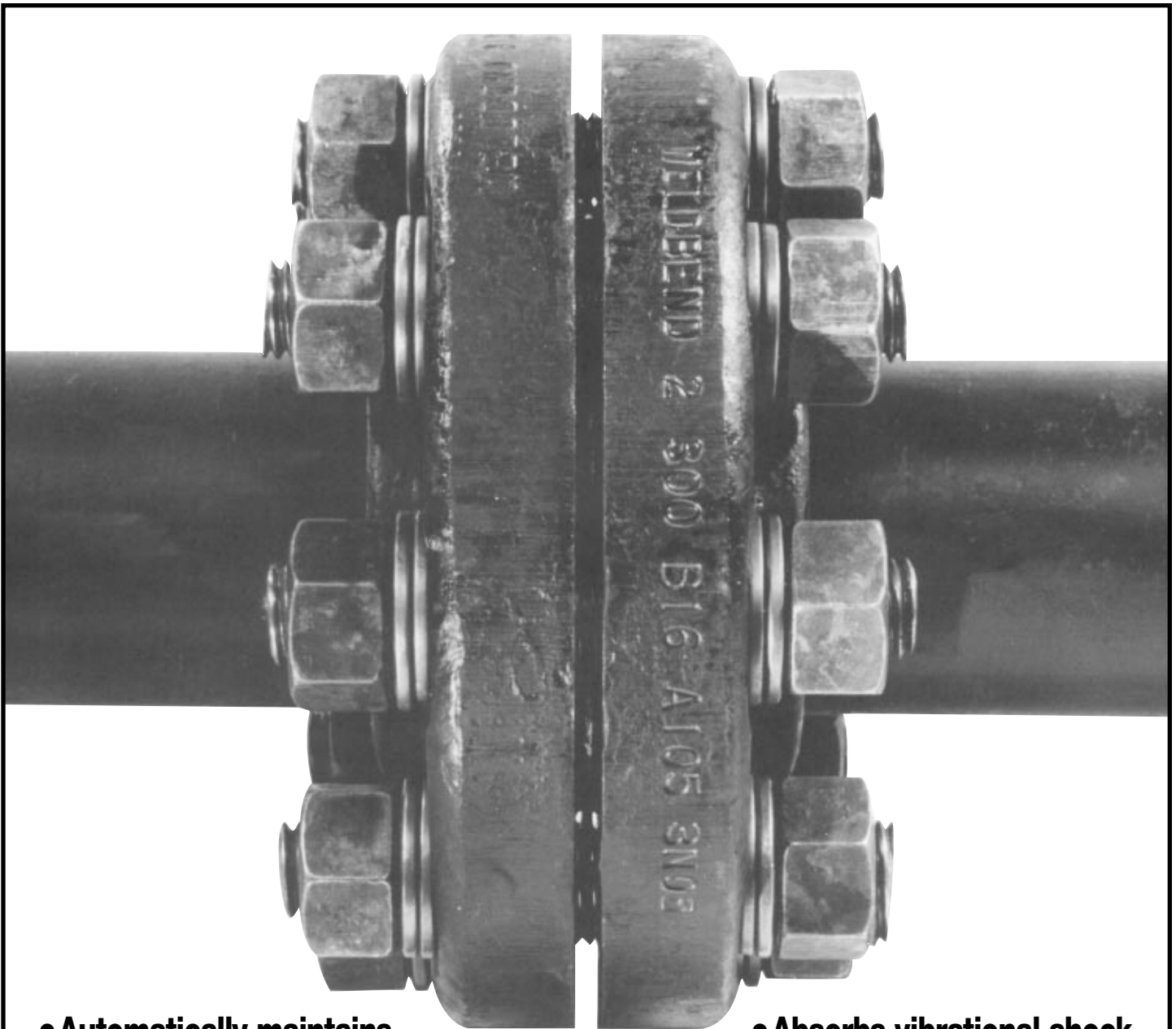


CHESTERTON®

ISO 9001
CERTIFIED

5500 FLANGE BOLT DISC SPRINGS

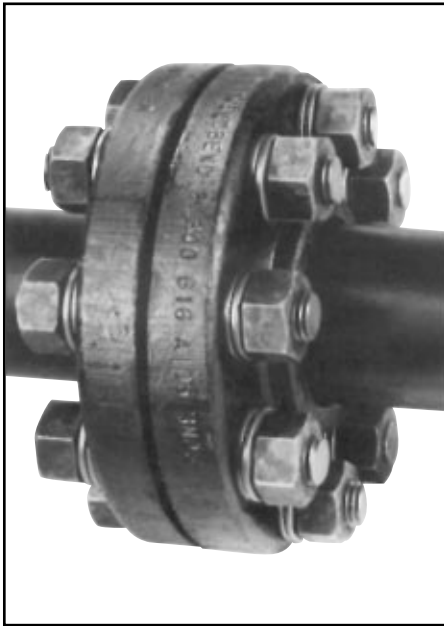
**MAINTAINS UNIFORM
BOLT LOAD TO
PREVENT LEAKAGE**



- **Automatically maintains uniform clamping force**
- **Compensates for thermal expansion and contraction**

- **Absorbs vibrational shock**
 - **Dampens effects of common pressure surges, preventing gasketing blowouts**

CHESTERTON® 5500 Flange Bolt Disc Springs



Standard Flange Application

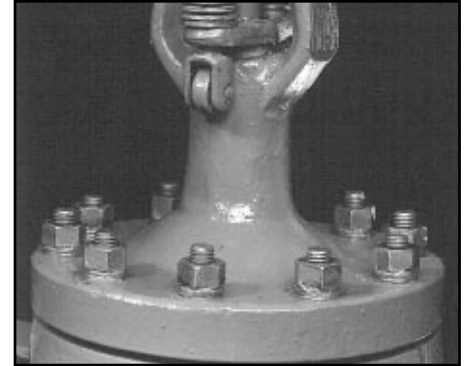
Bolted, gasketed joints that are subjected to mechanical shock, pressure surges or thermal expansion or contraction are prone to leakage. Disc springs, because they are an elastic mechanical element, compensate for these factors by maintaining bolt force under these conditions.

CHESTERTON Flange Bolt Disc Springs are manufactured from a specialized stainless steel alloy. This material was chosen as it exhibits the best characteristics against stress corrosion cracking.

Contact your local A. W. Chesterton Specialist for information on the 3 year Flange Live Load Warranty.

Other Typical Applications

- Manway and Handholes
- Bolted Bonnet Valves
- Gage Glasses
- Condensers and other Heat Exchangers



TECHNICAL DATA

MATERIAL:

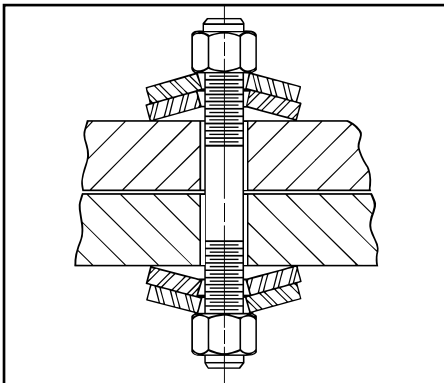
Specialized Stainless Steel Alloy

INSTALLATION INSTRUCTIONS:

Place (2) springs in parallel under the nut of each flange bolt and tighten to required torque as listed.

Available in kit form on request.

Springs shown uncompressed



REORDER NO.	BOLT SIZE (inches)	REORDER NO.	BOLT SIZE (mm)
001197	3/8"	001239	M8
001198	7/16"	001241	M10
001201	1/2"	001198	M11
001202	5/8"	001230	M12
001203	3/4"	001202	M16
001204	7/8"	001233	M20
001205	1"	001204	M22
001206	1 1/8"	001234	M24
001207	1 1/4"	001235	M27
001208	1 3/8"	001237	M30
001209	1 1/2"	001207	M32
001210	1 5/8"	001238	M36
001211	1 3/4"	001209	M38
001212	1 7/8"	001210	M42
001213	2"	001212	M48
001214	2 1/4"	001215	M64
001215	2 1/2"		
001243	2 3/4"		

NOTES:

1. Bolts, nuts and springs should be liberally lubricated on all surfaces with CHESTERTON® Premium Nickel Anti-Seize Compound.

A.W. CHESTERTON CO.

225 Fallon Road, Middlesex Industrial Park
Stoneham, Massachusetts 02180-9101 USA
Telephone: 617-438-7000
Telex: 94-9417 • Fax: 617-438-8971
Cable: Chesterton Stoneham, Mass.

© A.W. CHESTERTON CO., 1994. All rights reserved.
® Registered trademark owned and licensed by
A.W. CHESTERTON CO. in USA and other countries.

DISTRIBUTED BY: