

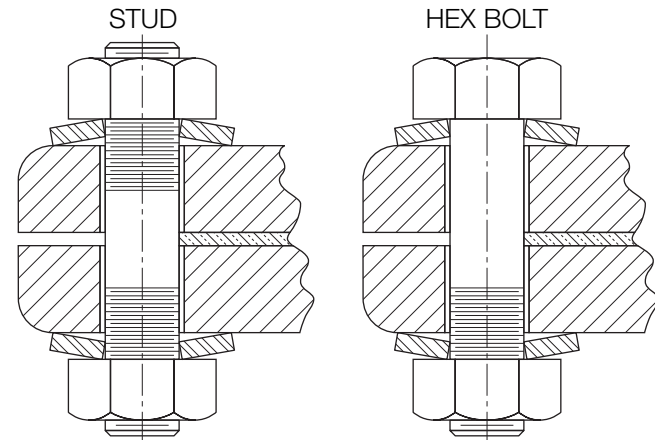
CHESTERTON® 5505H

Flange Bolt Disc Springs

Installation Instructions:

- Place one spring on each end of the bolt or stud and tighten to recommended torque as listed.
- A criss-cross bolting pattern is recommended.
- Torque should be applied in increments, for example 30%, 60%, and 100% of recommended torque.

For more detailed tightening instructions, see the Chesterton MPD, Flange Sealing Manual, Form No. 073837, Section 5, pages 45 to 49.



NOTES:

Bolts, studs, nuts, and springs should be liberally lubricated on all surfaces with Chesterton 725 or 772 Nickel Anti-Seize Compound or 785 Parting Lubricant.

Torque values listed are for:

60,000 PSI Bolt Stress, 45,000 PSI Bolt Stress,
and 30,000 PSI Bolt Stress.

This is the actual applied stress to the bolt, not the yield strength.
Our torque values are calculated using
57% of the fastener yield strength.

A. W. CHESTERTON CO.

Middlesex Industrial Park, 225 Fallon Road, Stoneham, Massachusetts 02180-9101 USA
Telephone: 781-438-7000 – Fax: 781-438-8971 – Web Address: www.chesterton.com

© A.W.CHESTERTON CO., 2003. All rights reserved.
® Registered trademark owned and licensed by A.W.CHESTERTON CO., in USA and other countries.

FORM NO. 071071 REV.1 – PRINTED IN USA 03/03

Bolt Size	Bolt Stress PSI	Item Number	Approx. Calculated Flat Load (lbs)	Approx. Calculated Flat Load (kN)	Required Torque (FT-lbs)	Required Torque (Nm)
1/2 in.	60,000	004952	8,490	37.8	60	81.4
	45,000	004953	6,367	28.3	45	61.0
	30,000	004954	4,245	18.9	30	40.7
5/8 in./16 mm	60,000	004955	13,560	60.3	120	162.7
	45,000	004956	10,170	45.2	90	122.0
	30,000	004957	6,780	30.2	60	81.4
3/4 in.	60,000	004958	20,040	89.1	200	271.2
	45,000	004959	15,030	66.9	150	203.4
	30,000	004960	10,020	44.6	100	135.6
20 mm	60,000	004961	20,940	93.1	236	320.0
	45,000	004962	15,705	69.9	177	240.0
	30,000	004963	10,470	46.6	118	160.0
7/8 in./22 mm	60,000	004971	27,720	123.3	320	433.9
	45,000	004972	20,790	92.5	240	325.4
	30,000	004982	13,860	61.6	160	217.0
24 mm	60,000	004984	30,180	134.2	415	562.7
	45,000	004986	22,635	100.7	312	423.1
	30,000	004988	15,090	67.1	208	282.0
1 in.	60,000	004950	36,360	161.7	490	664.4
	45,000	004991	27,270	121.3	368	499.0
	30,000	004992	18,180	80.9	245	332.2
27 mm	60,000	005427	39,720	176.7	600	813.6
	45,000	005428	29,700	132.1	451	611.6
	30,000	005429	19,800	88.1	300	406.8
1-1/8 in.	60,000	004993	47,400	210.8	710	962.8
	45,000	004995	35,550	158.1	533	722.7
	30,000	004949	23,700	105.4	355	481.4
30 mm	60,000	004996	48,240	214.6	840	1,139.0
	45,000	004997	36,180	160.9	630	854.3
	30,000	004999	24,120	107.3	420	569.5
1-1/4 in./32 mm	60,000	005017	60,000	266.9	1,000	1,356.0
	45,000	005018	45,000	200.2	750	1,017.0
	30,000	005019	30,000	133.4	500	678.0
33 mm	60,000	005049	60,180	267.7	1,141	1,547.2
	45,000	005101	45,135	200.8	856	1,160.7
	30,000	005102	30,090	133.8	571	774.3
1-3/8 in.	60,000	005105	73,980	329.1	1,360	1,844.2
	45,000	005106	55,485	246.8	1,020	1,383.1
	30,000	005107	36,990	164.5	680	922.1
36 mm	60,000	005431	70,614	314.1	1,441	1,954.0
	45,000	005432	52,961	235.6	1,081	1,465.8
	30,000	005433	35,307	157.0	720	976.3
1-1/2 in./38 mm	60,000	005108	89,520	398.2	1,600	2,169.6
	45,000	005109	67,140	298.6	1,200	1,627.2
	30,000	005110	44,760	199.1	800	1,084.8
1-5/8 in.	60,000	004951	106,800	475.0	2,200	2,983.2
	45,000	005111	80,100	356.3	1,650	2,237.4
	30,000	005112	53,400	237.5	1,100	1,491.6
1-3/4 in.	60,000	005119	124,800	555.1	3,000	4,068.0
	45,000	005120	93,600	416.3	2,250	3,051.0
	30,000	005121	62,400	277.6	1,500	2,034.0
1-7/8 in./48 mm	60,000	005386	114,475	509.2	4,000	5,424.0
	45,000	005388	108,450	482.4	3,000	4,068.0
	30,000	005391	72,300	321.6	2,000	2,712.0
2 in.	60,000	005392	131,575	585.2	4,400	5,966.4
	45,000	005393	124,650	554.4	3,300	4,474.8
	30,000	005398	83,500	371.4	2,200	2,983.2
2-1/4 in.	60,000	005399	169,100	752.2	6,360	8,624.2
	45,000	005400	160,200	712.6	4,770	6,468.1
	30,000	005406	106,800	475.0	3,180	4,312.1
2-1/2 in./64 mm	60,000	005407	210,900	938.1	8,800	11,932.8
	45,000	005412	199,800	888.7	6,600	8,949.6
	30,000	005419	133,200	592.5	4,400	5,966.4
2-3/4 in.	60,000	005420	257,925	1,147.3	11,840	16,055.0
	45,000	005421	244,350	1,086.9	8,800	11,932.8
	30,000	005422	162,900	724.6	5,920	8,027.5
3 in.	60,000	005423	309,225	1,375.4	15,440	20,936.6
	45,000	005425	292,950	1,303.0	11,580	15,702.5
	30,000	005426	195,300	868.7	7,720	10,468.3